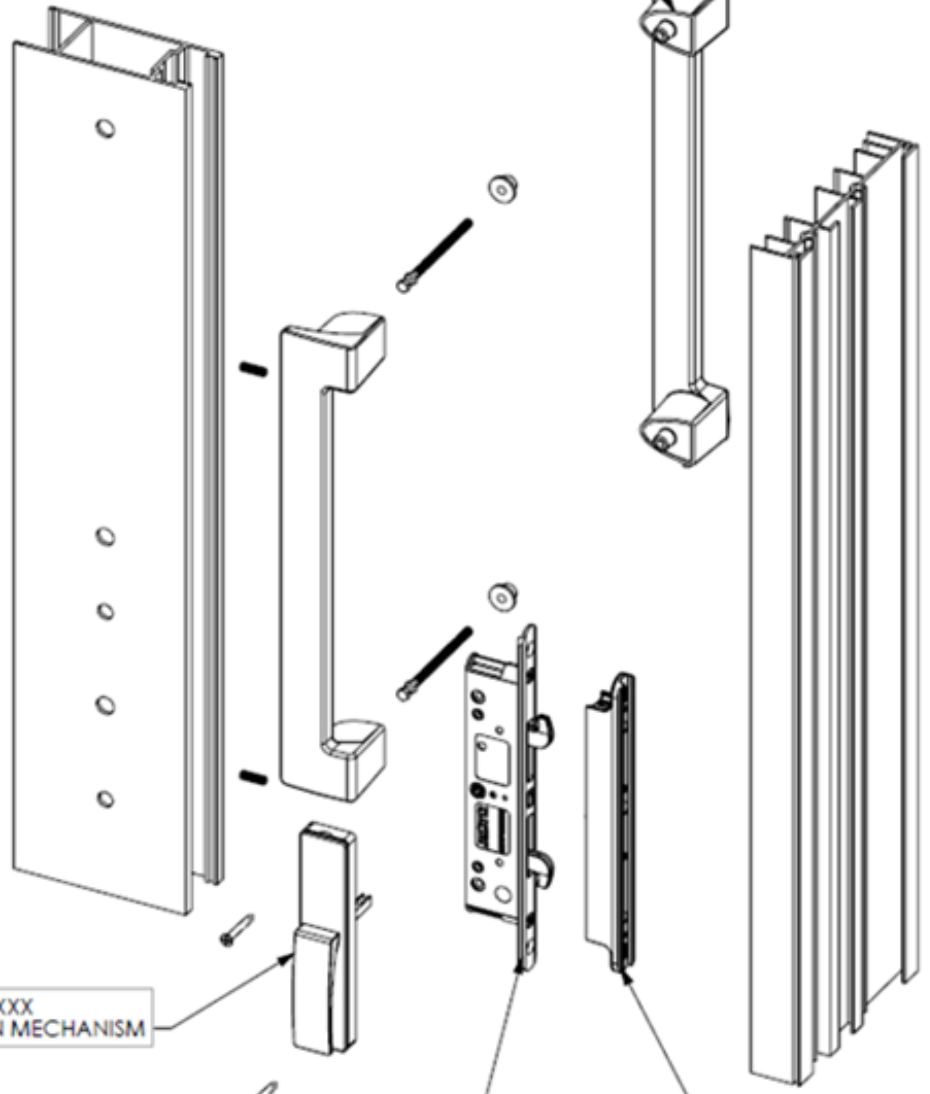


# CREST HARDWARE INSTALLATION (BACK TO BACK HANDLE SET)

PS01-0208-XXX CREST PULL D-HANDLE SET LARGE

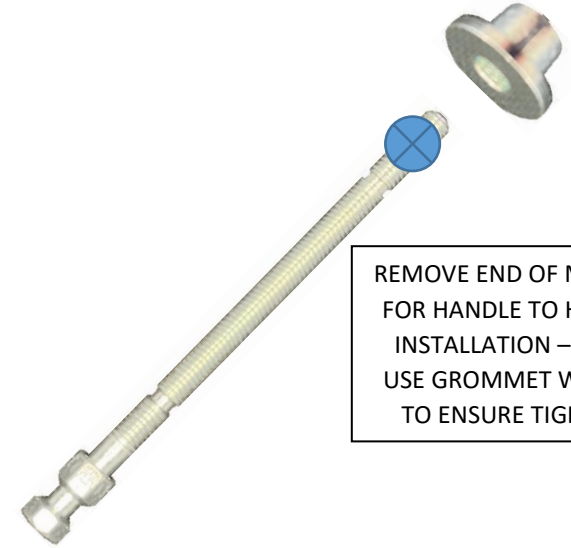


PS01-0203-XXX  
CREST TURN MECHANISM

SELF DRILLING SCREW

191014 SBML 2PT LOCK  
PS01-2010 SBML 2PT SST HOOKS

CUSTOM  
ADJUSTABLE STRIKE



REMOVE END OF M5 BOLT  
FOR HANDLE TO HANDLE  
INSTALLATION – MUST  
USE GROMMET WASHER  
TO ENSURE TIGHT FIT

UNLOCKED POSITION  
(LEVER TOWARDS GLASS)

LOCKED POSITION  
(LEVER TOWARDS BOTTOM)

